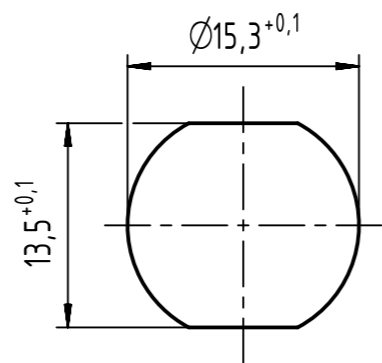


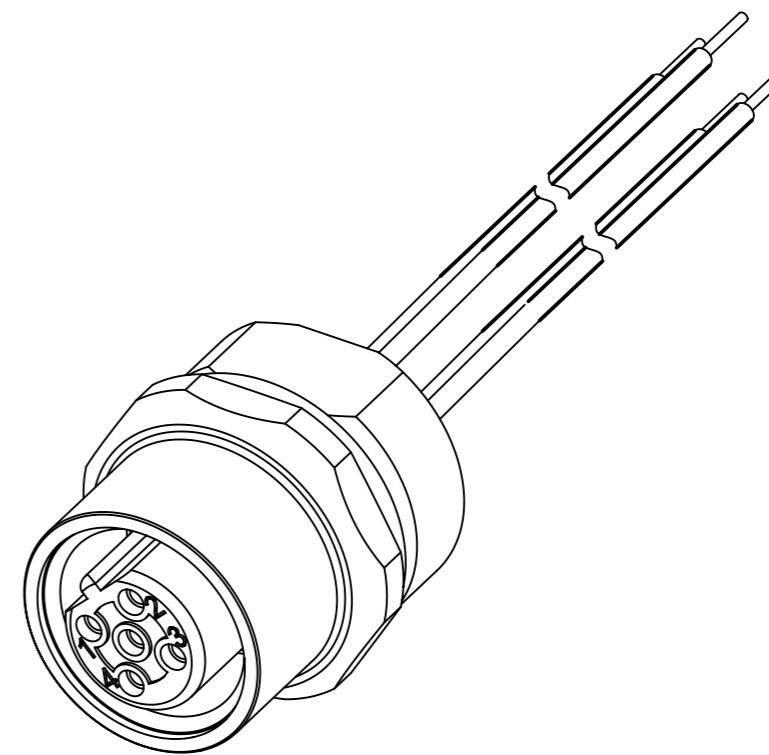
Loading-Plan:

- 1 brown
- 2 green
- 3 blue
- 4 red

Recommended panel cut-out



Minimum wall thickness 1.5mm



- Protection level: IP67
- Temperature range: -30°C ... +80°C
- Order lock nut separately

1		21033386405		AWG 24, PVC		0.5		All rights reserved Department EC PD - RO		Scale 2:1 Free size tol.		Ref. Sub.	
Cont. No.		Part - no.		Type of cable		Dim. a[m]		HARTING Electronics GmbH D-32339 Espelkamp		Created by TAMAS Inspected by PRIESTER Standardisation HOFFMANN Date 2017-10-19 State Final Release		Title M12 B-coded Cable Assembly Type TB Number 210333864XX Doc-Key / ECM-Nr. 100581424/UGD/009/D 500000126780 Rev. D Page 1/1	